



MWG10.1

CONTROL UNIT



- ✓ High regulation speed
- ✓ High levels of thrust
- ✓ Noiselessness
- ✓ Very high response speed
- ✓ 2,8" LCD color graphic display
- ✓ User-friendly graphic
- ✓ Ease of use and calibration

MWG10.1 is the new release of the MWG10 webguide and pin to pin compatible with it. MWG10.1 is a device for the regulation of the web position using sensors and actuators.

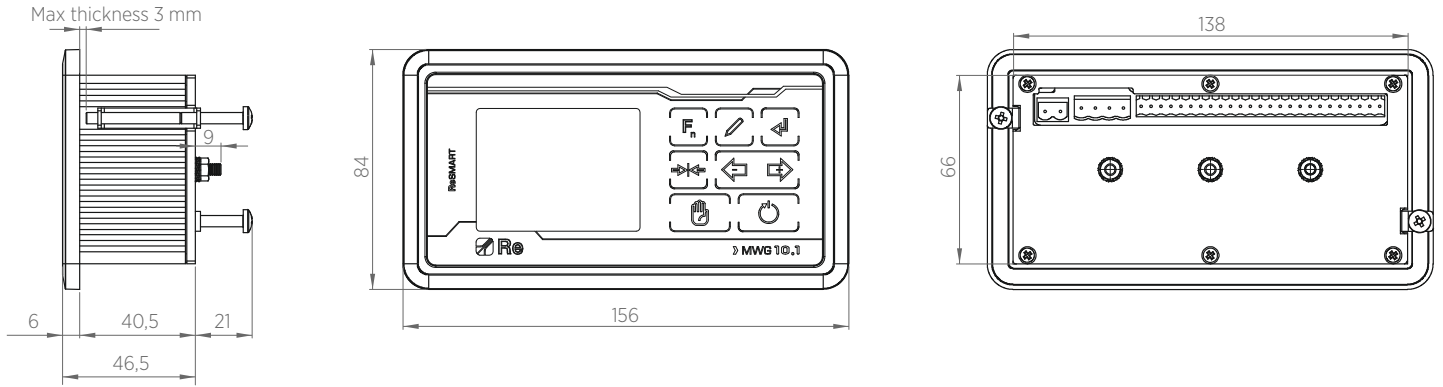
MWG10.1 control unit, integrates the control logic and the power driver for motors in a single and very compact case. It is equipped with a 2,8" LCD color graphic display which ensures a rapid and user-friendly human-machine interaction and some mechanical buttons for an easy calibration and management of the system.

MWG10.1 is provided with analogue inputs for sensors and a CAN interface for the Re latest generation sensors and optical ones.

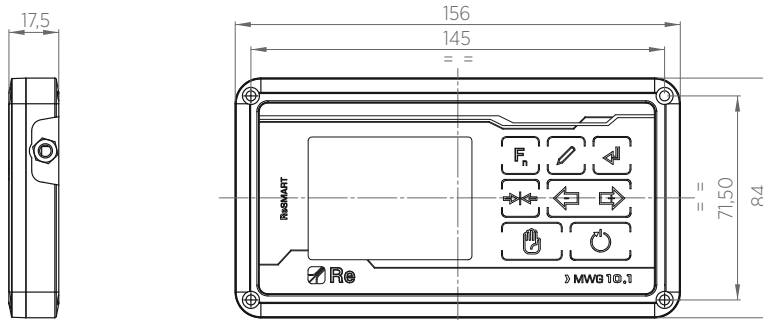
All the mechanical devices are equipped with latest generation stepping motors so that they not require regular maintenance and guarantee a quick and precise movement.

If required, is it available the remote keypad and the MWG10.1 WD for remote keypad.

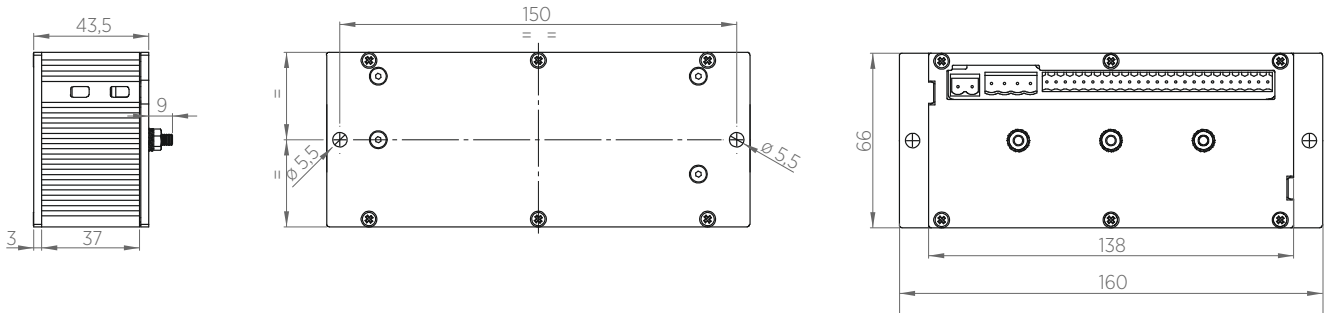
TECHNICAL DRAWING



REMOTE KEYPAD



MWG10.1 WD for remote keypad



TECHNICAL CHARACTERISTICS

Power supply	24 V
Power consumption	4 A
Response time	1 ms
Analogue inputs	2 inputs for sensors 0÷5 Vdc (12bit)
Digital inputs	4 inputs for remot controls 12÷24 Vdc
Digital outputs	1 output open collector
Fieldbus	CAN Re (proprietary protocol)
Working temperature	0÷50° C
Protection class	IP20 case IP52 frontal panel

*Data are subject to technical change without notice



Re S.p.A.
via Firenze 3
20060 Bussero (MI) Italy

T +39 02 9524301
F +39 02 95038986
E info@re-spa.com

Assistenza tecnica
Technical support
T +39 02 952430.300
E support@re-spa.com

Assistenza commerciale
Sales support
T +39 02 952430.200
E sales@re-spa.com